

Pressure Gauge EK

Application

- Hygienic pressure measurement

Application examples

- Local display without power supply

Hygienic design/Process connection

- Direct connection for 3/4" und 1" Tri-Clamp and Anderson-Negele CPM
- CIP-/SIP-cleaning up to 149 °C (300 °F) / maximum 60 minutes
- Gauges completely made of stainless steel
- Sensor materials and actuating fill are FDA conform
- IP 66, housing for optimized cleanability
- Conforming to 3-A Sanitary Standard 74-06
- Autoclaveable version with Anderson-Negele CPM fitting

Features

- Complete device is certified by 3-A-SSI
- Zero adjustable
- Surface $R_a \leq 0.6 \mu\text{m}$ (0.2 microns, 8 micro-inches) is standard

Options

- Case filling with glycerine for damping
- Actuating fill with Neobee M20

Authorizations

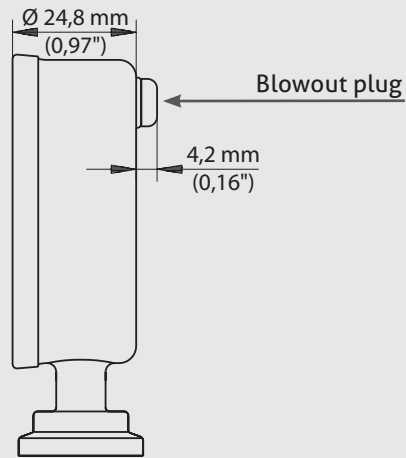
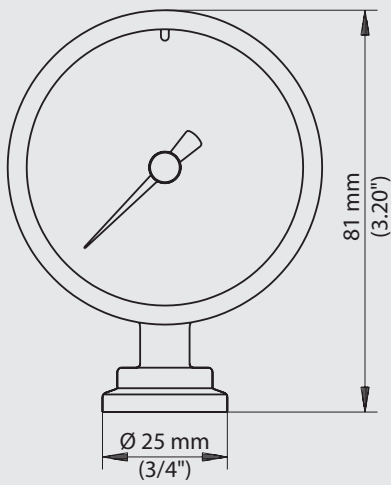


EK for 3/4" Tri-Clamp

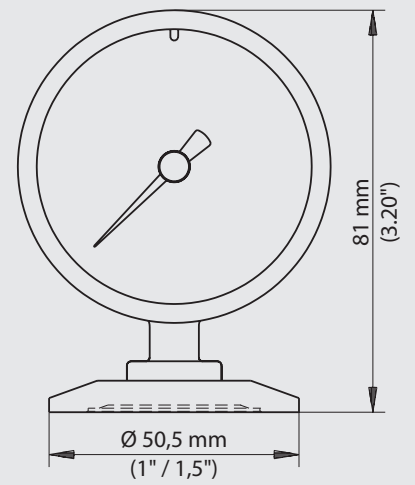


| Specification | | |
|------------------------------|-------------------------|---|
| Material | diaphragm | 1.4404 (316L) $R_a \leq 0.6 \mu\text{m}$ (0.6 microns, 24 micro-inches) |
| | fitting | 1.4404 (316L) |
| | bourdon tube | 1.4301 (304) |
| | movement | 1.4301 (304) |
| | case | 1.4301 (304) |
| | lens | polycarbonat / Lexan (standard gauge) polysulfone (autoclaveable version) glycerine (option) |
| Actuating fill | FDA approval number | medical white oil 21 CFR 172.878 and 21 CFR 178.3620(a) |
| | option | Neobee M20 Glycerin (100 % USP grade) |
| Protection class | | IP 66 / NEMA 4X |
| Over-range capability | | minimum 25 % of full range |
| Accuracy | measurement | ± 1.5 % of full scale |
| | repeatability | ± 0.5 % of full scale |
| | linearity | ± 0.5 % of full scale |
| | hysteresis | ± 0.5 % of full scale |
| Temperature | process | -3 °C...140 °C (25 °F...284 °F) autoclaveable at 149 °C (300 °F) for 60 minutes with process connection CPM and unfilled case |
| | CIP/SIP ambient | 149 °C (300 °F) / maximum 60 minutes 4 °C...49 °C (40 °F...120 °F) slower reaction at deep temperatures |
| Temperature effect | | less then 0,035 BAR (0.5 PSI) per 5.5 °C (10 °F) change in process or ambient temperature |
| Stability | from 10...90 % of range | $< \pm 0.01$ %/K of full scale in process or ambient temperature |
| Weight | | 140...390 g (depending on process connection and filling) |
| Standards | | Designed and manufactured to sound engineering prac- tices in accordance with Article 3.3 of the PED 98/23/EC CSA B51-03 CRN# CSA0F9754.5C |

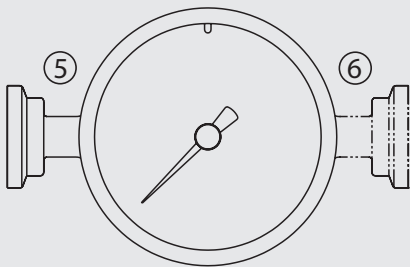
EK for 3/4" Tri-Clamp



EK for 1" resp. 1½" Tri-Clamp



Option connection left (5) / right (6)



Order code

EK (mini sanitary pressure gauge, diameter housing 63 mm, incl. material certificate)

Measuring range PSI

- 029** (30 "Hg/0...30)
- 031** (30 "Hg/0...60)
- 066** (0...30)
- 069** (0...60)
- 071** (0...100)
- 074** (0...160)

Measuring range BAR

- 055** (-1.0...2.0)
- 056** (-1.0...4.0)
- 475** (-1.0...6.0)
- 057** (0...2.0)
- 192** (0...4.0)
- 309** (0...7.0)
- 337** (0...11.0)
- 063** (0...15.0)

01 Fixed character

Mount / connection

- 1** (down)
- 5** (left)
- 6** (right)

Process connection

- 002** (Tri-Clamp 3/4")
- 003** (Tri-Clamp 1")
- 123** (CPM - autocleaveable)
- 161** (Mini CPM)

Filling (system)

- 1** (medical white oil)
- 5** (Neobee M23)

Damping / case fill

- 1** (without, unfilled case)
- 2** (glycerine filling, not available for connection "5" and "6")
- 3** (vented crystal/unfilled case, standard with CPM fitting "123")

EK **055** **01** **1** **002** **1** **1**